



Illuminated Capacitive Touch Switches Series SF25BB



General Specifications

Switch Type : Capacitive type
 Switch Operation : Momentary / Alternate
 Switch operating voltage : 5V DC or 7~24V DC
 Current consumption : 80 mA @5V DC
 Output type : NPN
 Switching capacity : 200 mA
 Operating Temperature : -10 °C ~ +55 °C

Materials

Cap : SUS or Polycarbonate (PC)
 Base : Acrylonitrile Butadine Styrene (ABS)
 Housing : SUS
 Nuts : Polyamide (PA)
 Washer : Rubber

Feature

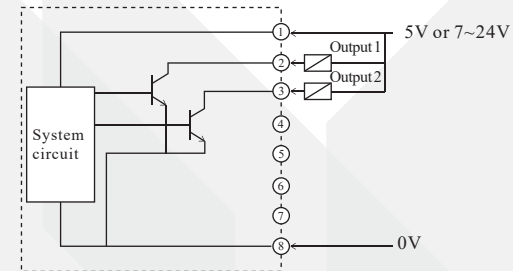
- Panel cutting Ø25mm
- Front Panel IP65
- Capacitive touch switch
- RGB LED Illuminated
- Metal Housing

Application

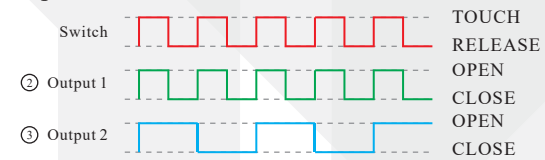
- Medical equipment
- Automated control
- Home automation
- Security system
- Broadcast equipment
- Studio equipment

Circuit Diagram

Pin	Function
1	VCC
2	OUTPUT 1 (Momentary)
3	OUTPUT 2 (Alternate)
4	NON
5	NON
6	NON
7	NON
8	GND



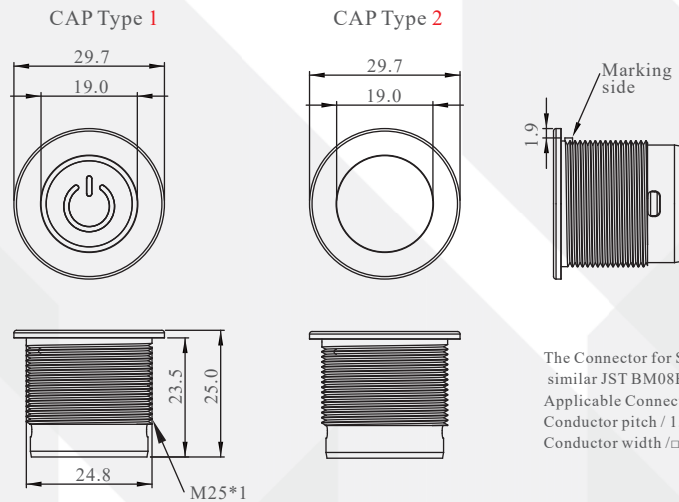
Operation mode





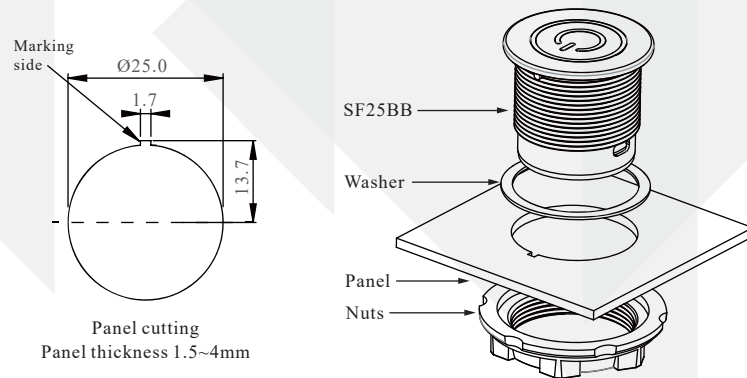
Illuminated Capacitive Touch Switches Series SF25BB

Dimension



The Connector for SF25BB module similar JST BM08B-SRSS-TB
 Applicable Connector:
 Conductor pitch / 1.0mm
 Conductor width / ϕ 0.2mm

Installation Notes & Panel Cutting



How to order

SF25BBB2MA07A Cap type 2 Stand by : Without LED / Trigger : Blue(Momentary) Voltage: 5 V DC	SF25BBB1AB75B Cap type 1 Stand by : Blue LED / Trigger : Green LED(Alternate) Voltage: 7~24 V DC	SF25BBB1MC15A Cap type 1 Stand by : Red LED / Trigger : Green LED(Momentary) Voltage: 5 V DC

Option

